



Powering Innovation



PROTECTION + AUTOMATION + CONTROL

# SINGLE POLE, NEUTRAL DISPLACEMENT RELAY

## JRV 962

**JVS ELECTRONICS PVT. LTD.**

#121, Manchanayakanahalli,  
Bangalore Mysore Highway, Bidadi,  
Ramanagara District - 562 109, Karnataka, India  
+91 94808 26272, +91 94808 26260  
bangalore@jvselectronics.in, www.jvselectronics.in

## FEATURES

- ◆ Software based design
- ◆ Instantaneous/Definite time selection
- ◆ Wide setting range
- ◆ Wide auxiliary supply

## APPLICATION

Earth fault protection in transformer generator motor and capacitor banks.



## PRINCIPLE OF OPERATION

The sensing Voltage is applied to the input terminals of the relay. The applied voltage is amplified and fed to a Voltage Comparator. Output of the comparator is applied to the processor. The Program residing in the CPU performs the function of measurement and extends a trip signal after the set time delay is reached. The Relay contacts are self reset type and indications are latched. The RESET button provided on the front of relay to clear these latched indications. The TEST button is provided to test the relay contacts for the trip and alarm circuits.

## TECHNICAL DATA

### RATINGS

|                  |   |  |
|------------------|---|--|
| Voltage rating   | : | 63.5V / 110V AC                              |
| Auxiliary supply | : | 30V DC (20V to 60V DC)<br>80 to 260V AC / DC |

### SETTINGS

|                 |   |                                  |
|-----------------|---|----------------------------------|
| Voltage setting | : | 2.5 to 80% in steps of 2.5%      |
| Definite time   | : | 0.1 to 25sec in steps of 0.1sec. |

### OVER LOAD RATINGS

|               |   |                          |
|---------------|---|--------------------------|
| Voltage input | : | 2 times Rated continuous |
|---------------|---|--------------------------|

### BURDEN

|                  |   |  |
|------------------|---|--|
| Voltage input    | : | Less than 2VA at Rated                                 |
| Auxiliary supply | : | Less than 2W (Non Operated)<br>Less than 5W (Operated) |

### ACCURACY

|                    |   |                   |
|--------------------|---|-------------------|
| Operating value    | : | ±5%               |
| Operating time     | : | ± 5% or ± 30msec  |
| Instantaneous Time | : | Less than 40msec. |

### CONTACT RATINGS

Contacts 1 & 2 : 5A at 24V DC / 230V AC

### CONTACTS DURABILITY

Unloaded contact : 20,000 Operations

Loaded contact : 10,000 Operations

### MECHANICAL DESIGN

Weight : Approx. 500 gms

Case size : 96 mm sq, depth 105mm

Installation : Flush mounting

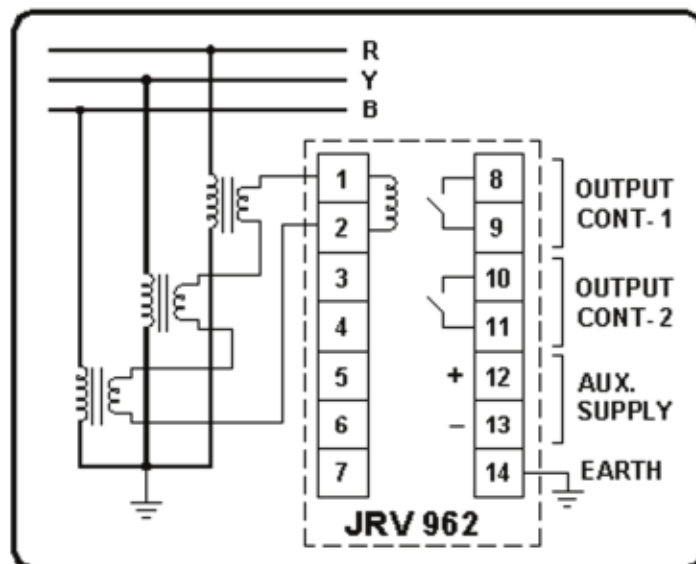
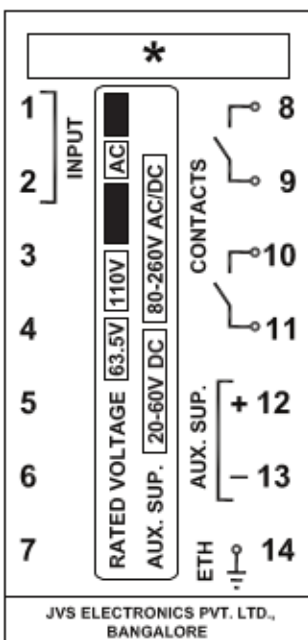
Panel cutout : 92x92 mm

### STANDARD COMPLIANCE

Accuracy Test : IEC 60255-151

Insulation Test : IEC 60255-27

### TERMINAL DIAGRAM



### ORDERING INFORMATION

Voltage rating : 63.5V / 110V AC

Relay type : JRV 962

Auxiliary supply : 30VDC  
80 to 260V AC / DC